

# Recycling Containers

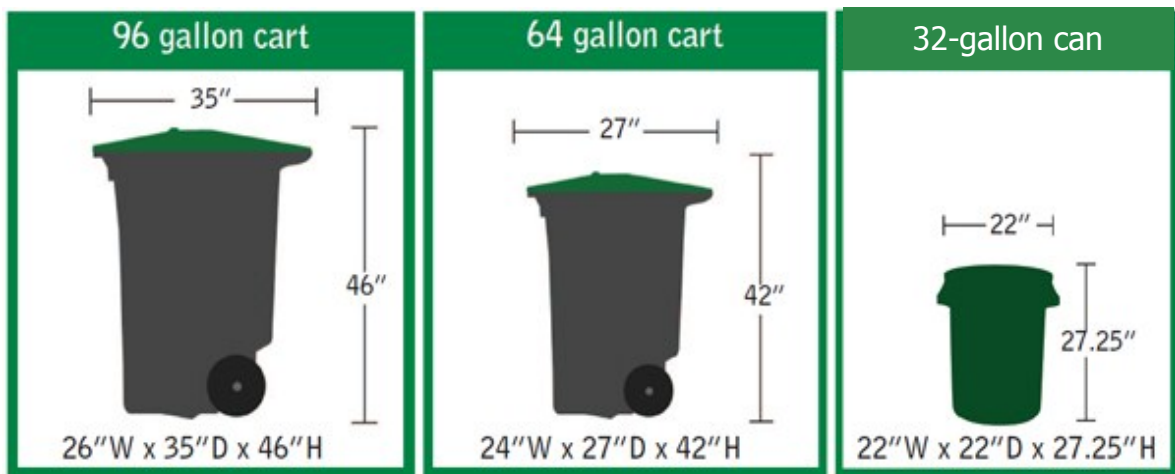
## Background on County Recycling Containers

Waukesha County has provided 18-gallon blue bins, at no cost, for all households in the County recycling program, which was funded with revenue from the sale of recyclables and state recycling grants. Together with over \$12 million in annual dividend payments to communities, this free service helped reduce local collection contract costs, since the hauler did not need to provide the recycling container. This also allowed the communities to rebid their hauling contracts without the need to coordinate or pay for the removal and resupply of recycling containers.



## New Recycling Containers

As the County recycling program switches to a single sort collection and processing system (see Fact Sheet #1 and #2 for more details), households need larger recycling containers. In this new system, more material will be collected and is more loosely packed as paper, cardboard, glass, plastic, and metal containers are mixed together. To reduce costs and increase recycling rates, many communities are also automating the collection system and switching to every-other-week pickup of recyclables, using large wheeled carts. These 96-gallon carts cost approximately \$54 each while the smaller 32-gallon containers used in manual up-the-drive collection systems cost approximately \$32 each.



# County Financial Assistance for Recycling Containers

Waukesha County originally proposed purchasing new recycling containers for all households in the county program, with the condition that communities would maintain them. However, communities expressed little interest in owning and maintaining the containers. As a result, container lease and lease-to-own costs were collected as part of a County coordinated collection contract request for proposal (RFP) process, which was completed in spring 2014 for 20 of the 25 partner communities.

The County used the costs from the RFP to prepare the standardized financial assistance to support the costs of recycling containers. Container costs for each option (purchase, lease and lease-to-own) were projected over a 10-year period based off current service types in each community. For automated curbside collection, 96-gallon containers would be used. Based on RFP proposals for up-the-drive collection service, it was assumed that 32-gallon containers would be used. Lease-to-own proved to be the most cost-effective option over a 10-year period.

Since prices varied considerably among contractors, the County averaged the most competitive lease-to-own pricing with the County purchase option to standardize financial assistance rates as shown in Table 1. The communities may use the financial assistance to support the costs of recycling containers in any way they chose, including container purchase, lease, or lease-to-own through their private hauler contracts.

Recycling Container Size	Payment/Household/Month
96 Gallon	\$0.44
48-64 gallon	\$0.38
32 Gallon	\$0.22

## Financial Assistance Distribution

The County would process a payment to the community annually to help support municipal costs of recycling containers, based on the above noted rates. To obtain this annual financial assistance, a municipality would need to:

- 1) Execute a single sort collection contract with a hauling company; and
- 2) Execute a 10-year intergovernmental agreement with the County.

Each year, the hauling company would report the number of households being served and the size of the containers used, which would be used to calculate the annual payment. This process recognizes the possible growth in household numbers and changes in container sizes, while maintaining consistent annual payments, and allowing maxi-

## Container Size

The County recommends the larger 96-gallon cart for recycling, and every-other-week automated single sort collection. Research shows the larger the container, the higher the recycling rates. However, any manual collection system, such as up-the-drive service, cannot use the larger container due to weight restrictions for lifting. For more information on comparing up-the-drive to automated curbside collection service, see Fact Sheet #5. For information on single sort recycling, see Fact Sheet #2.



For more information,  
Waukesha County  
Department of Parks & Land Use  
896-8300  
[www.waukeshacounty.gov/](http://www.waukeshacounty.gov/)



**Waukesha County  
Department of  
Parks and Land Use**